

KD8501 5MP Waterproof IP Video Doorbell



The KD8501 IP villa plastic doorbell, with small and simple design, Users can view, chat with, and send permission for the visitor via mobile phone in anywhere; support WIFI, convenient setting up and no wiring required, and which is easy for installation and deployment, and is suitable for villa, detached house, etc.

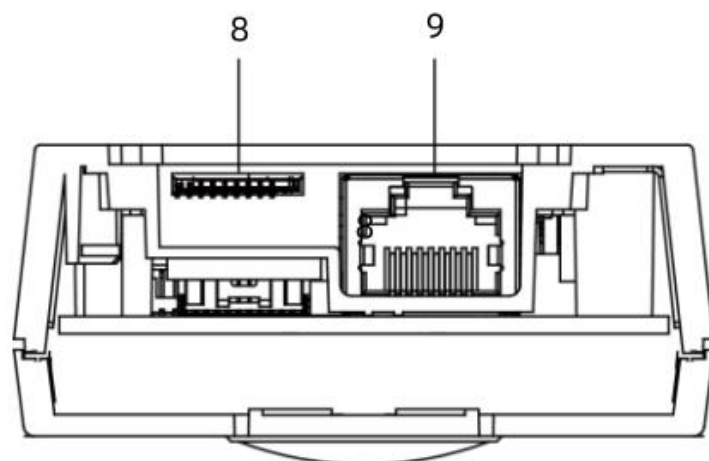
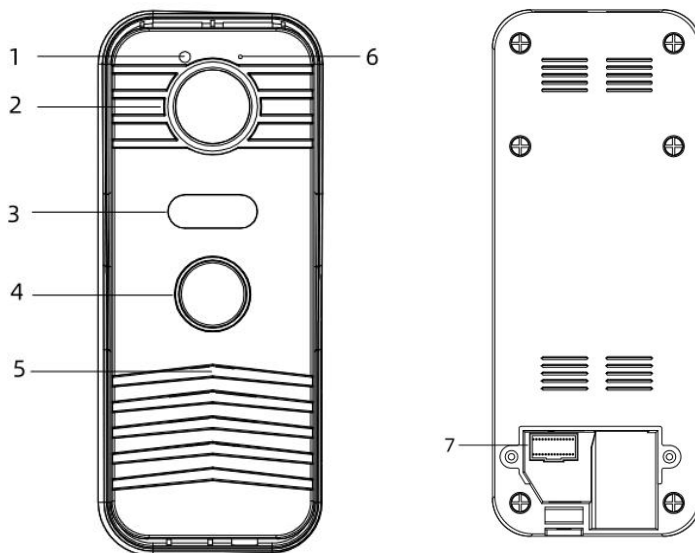
- Support Wifi convenient setting up and no wiring required
- 5MP resolution, with 940nm IR supplement
- Support web configuration
- Noise suppression and echo cancellation
- IP65 protection level
- Support Tuya APP Mobile Control
- Support SIP protocol

Specification

Image sensor	
Screen size	5MP, 1/2.7", Day/Night
Maximum Resolution	2592x1944@30fps
Minimum illumination	Color: 0.05Lux B/W: 0.01Lux
Video parameters	
Resolution	Mainstream: 2560x1440/1920x1080/@30fps Sub stream: 640x480/640x360@30fps
FOV	Horizontal: 125°Vertical: 65°
WDR	DWDR
Supplement light	IR light,940nm
Video compression standard	H.265/H.264
Audio parameters	
Audio input	1 built-in omnidirectional microphone
Audio compression standard	G711U
Audio output	1 built-in loudspeaker
Audio quality	noise suppression and echo cancellation
Volume adjustment	Adjustable
Network parameters	
Network protocol	HTTP,TCP/IP,IPv4,DHCP,NTP,SIP
Wi-Fi	Support, 2.4G
Device interfaces	
Alarm input	2
Network interface	1 RJ-45, 10/100 Mbps self-adaptive
Exit button	1
RS-485	2
TF card	Reserved
General	
Button	1 physical button
Installation	Surface mounting
Protective level	IP65
Working temperature	-30 °C to 70 °C
Working humidity	10% to 95% (no-condensing)
Dimension (W × H × D)	139mm ×55mm ×31.5mm
Application environment	Outdoor and indoor

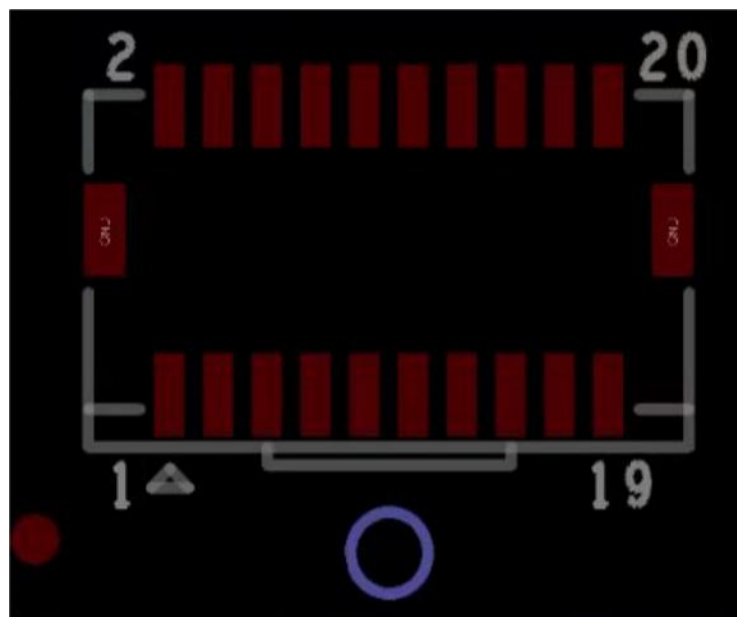
Physical Interface

No	Description	No	Description
1	Light sensor	7	Terminals
2	Camera	8	TF Card Slot
3	IR LED	9	Network Interface
4	Button		
5	Loudspeaker		
6	Microphone		



Interface for terminal

Pin	Functional Definition	Pin	Functional Definition
1	485-A2	2	485-A1
3	485-B2	4	485-B1
5	GND	6	ALARM IN-NC
7	5V Output	8	ALARM IN-COM
9	NC	10	ALARM IN-NO
11	GND	12	Alarm In1
13	GND	14	Alarm In2
15	Uart	16	Uart
17	12V Input	18	GND
19	12V Input	20	GND



Dimension

